

everything *Mary*®

Hardware
How to...

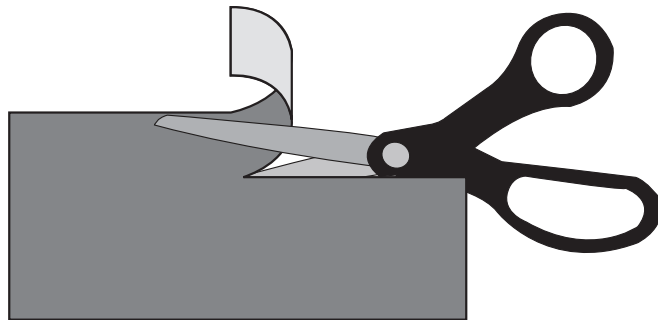
Buckles

Tools/Supplies Needed:

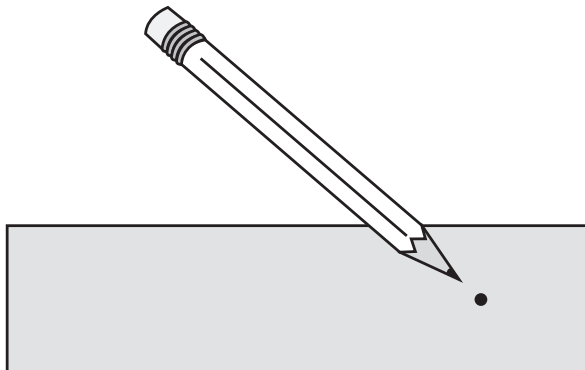
- Scissors
- Pencil
- Exacto Knife
- Needle/Thread

Instructions:

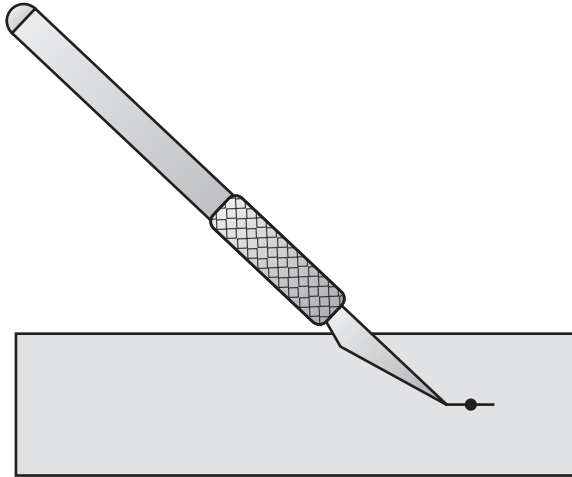
1. Cut a piece of vinyl the size of your buckle. Turn it over.



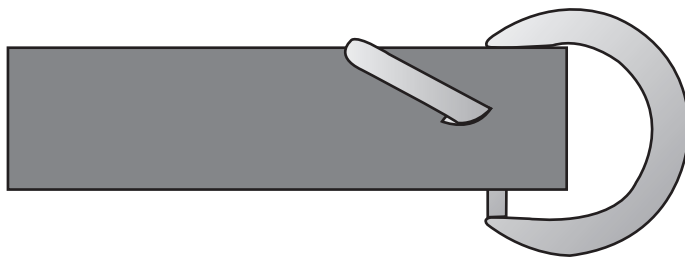
2. Place a small dot in the center of your material.



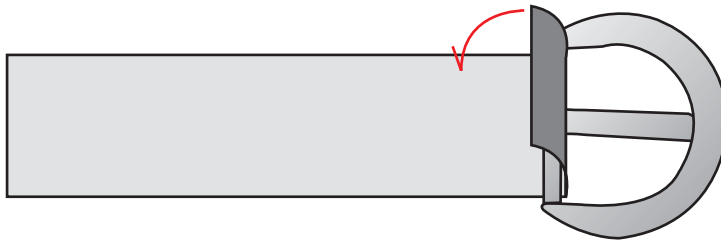
3. Take an exacto knife and make a small slit.



4. Turn vinyl over and put the center of the buckle through the slit.



5. Take your vinyl back through the buckle.



6. Sew down and attach to the handbag.

